

## Flush-Mount PIR Switching Sensor (SF-PIR-SW-01)

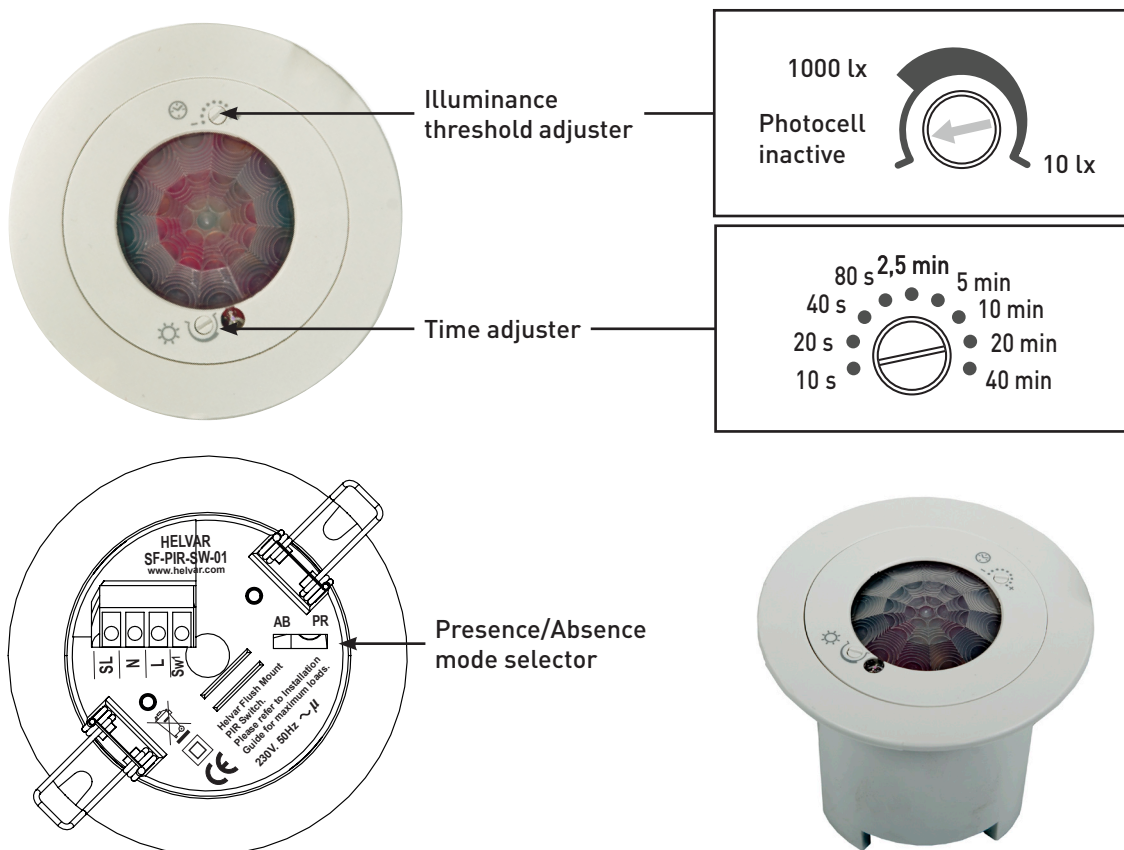
*freedom in lighting*

The SF-PIR-SW-01 is a PIR-triggered switch suitable for mounting into a ceiling void. It allows simple selection of presence or absence detection to control both lighting and nonlighting loads.

Configurable for any room occupancy style, it switches on the connected load if the area is occupied and the illuminance is lower than the specified level (with the photocell activated). Similarly, it switches off the load if the area is unoccupied for the set time.

In absence mode, the unit can also be operated from a mains-rated retractable wall switch.

## Features



## Operation

### Presence Mode (Default Mode)

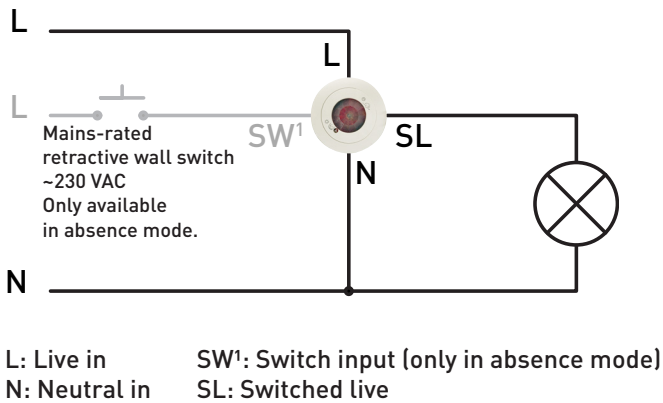
Out of the box, the time-out adjuster is set to 10 s, and the illuminance threshold adjuster is set to maximum (photocell inactive). With the illuminance threshold adjuster set to maximum, the sensor will always switch on the connected load when movement is detected. There are nine time periods available from the time-out adjuster (from 10 s to 40 min).

Multiple sensors can be connected to the same load in order to extend the detection zone (see 'Multiple sensors' on page 2).

### Absence Mode

With the mode selector set to absence detection mode, pressing a retractable switch connected to the sensor will switch on the connected load. Then, if no presence is detected for the selected time period, or if the retractable switch is pressed shortly, the load will be switched off.

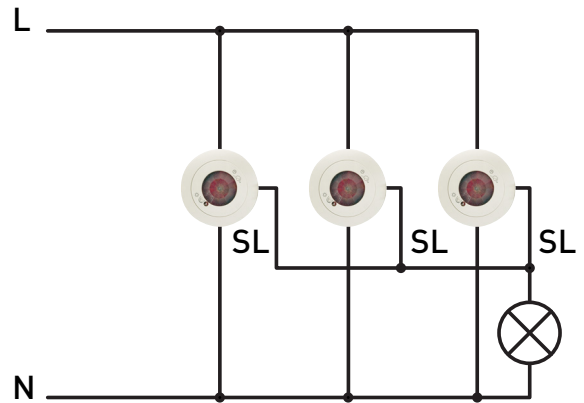
## Single sensor



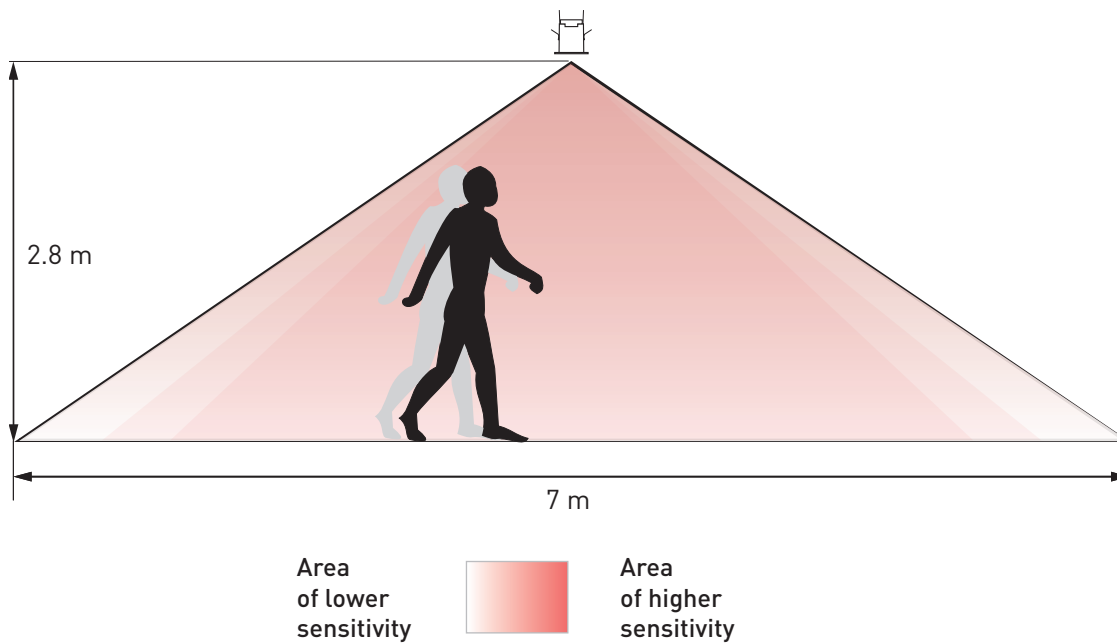
## Multiple sensors

(Presence detection mode only)

*freedom in lighting*



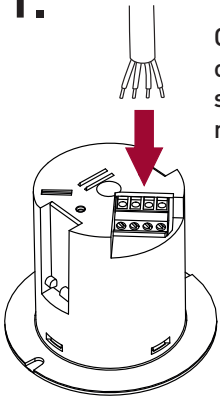
# Detection Pattern



# Installation Notes

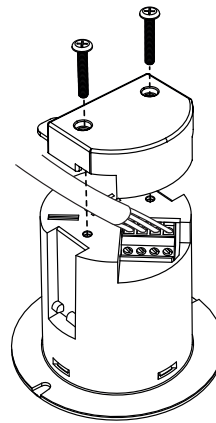
- Position the sensor so that the occupants of the room are normally inside the detection zone.
- Do not fix the sensor to an unstable or vibrating surface.
- Do not install the sensor within 1 m of any lighting, forced air heating, or ventilation equipment.
- Do not install several sensors in parallel near lamps that emit infrared radiation if these lamps are switched via another PIR switch. This can cause false triggering.
- Make sure that the wires and cables are securely held within the connection terminals.
- Do not connect on a circuit with large inductive loads, as induced spikes can cause false triggering or damage the sensor.
- Protect the sensor by a 6 A MCB or fuse.
- Disconnect the sensor from the circuit before performing insulation testing of the wiring circuit.

1.



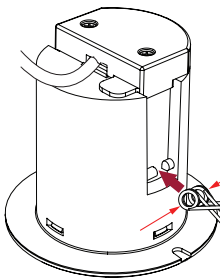
Connect the power cable (and wall switch in absence mode only)

2.



Attach the cover

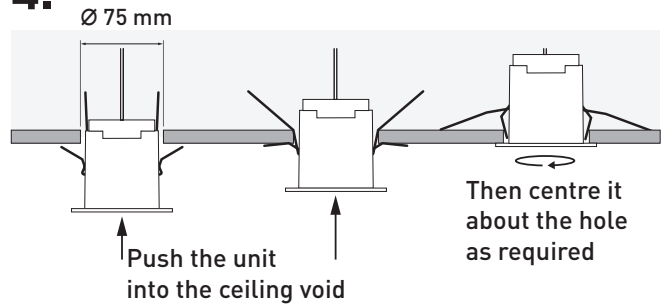
3.



Squeeze the spring coils together and fit onto each of the two lugs in turn

Then repeat the operation with the other spring

4.



Push the unit into the ceiling void

Then centre it about the hole as required

## Setup

### Presence Mode

Auto on, auto off via time-out settings (no manual wall switch control). Multiple sensors can be connected to the same load in order to extend the detection zone (see figure in section 'Multiple sensors' on page 2). When used in conjunctions with illuminance settings, the load will only switch on if the detected light levels are below the minimum level set on the illuminance threshold adjuster.

### Absence Mode

Manual on via wall switch, auto off via time-out settings or manual off via wall switch. Single sensors only. Not for use with multiple sensors in parallel.

### Illuminance Setup

**Notes:** It is best to adjust the illuminance setting when the ambient light level is at the required minimum level.

For loads that should switch on regardless of ambient light levels, set the illuminance setting to maximum (photocell inactive).

1. Set the illuminance setting to minimum and wait for the load to switch off.
2. Slowly increase the illuminance setting while waving your hand below the sensor until the connected load switches on.

### Time Setup

Set the time appropriately for the usage of the area. For example, some possible settings could be:

- Offices with workers regularly walking: 20 min
- Offices with mainly desk-based workers: 40 min
- Corridors: 5 min
- Washrooms with total coverage: 10 min
- Washrooms with entry coverage only: 40 min
- 2D fittings: Not less than 20 min, due to potential lamp failure. If in doubt, contact your lamp manufacturer.

# Technical Data

**Helvar**

*freedom in lighting*

## Electrical data

<b>External power:</b>	Terminal block Wire section: 0.5 mm <sup>2</sup> – 2.5 mm <sup>2</sup> solid or stranded
<b>Cable rating:</b>	All cables must be mains rated.
<b>Mains supply:</b>	230 VAC, 50 Hz
<b>Loads:</b>	6 A resistive (e.g. heater) 4 A incandescent 3 A fluorescent ballast / LED driver 1 A inductive (e.g. fan/motor) Mains LED lamps: Equivalent to 1000 W halogen load Min. load: 2 W resistive, suitable for most energy saving lamps, LEDs and emergency fittings.

**External protection:** 6 A maximum (MCB or fuse)

**Illuminance:** 10 lx to 1000 lx and maximum  
(photocell inactive) at the PIR  
switch.

## Sensors

<b>Presence detector:</b>	PIR (Passive InfraRed)
<b>Detection range:</b>	360° with up to 7 m diameter when mounted at a 2.8 m ceiling height
<b>Time:</b>	10 s to 40 min

## Mechanical data

<b>Mounting hole diameter:</b>	75 mm
<b>Bezel diameter:</b>	85 mm
<b>Recommended clearance depth (incl. 50 mm for cabling):</b>	80 mm (without protective cover) 100 mm (with protective cover)
<b>Material (casing):</b>	Flame-retardant polycarbonate
<b>Finish / Colour:</b>	Matt / White RAL9003
<b>Weight:</b>	100 g
<b>IP code:</b>	IP20

## Operating conditions

<b>Ambient temperature:</b>	+10 °C to +35 °C <i>Note: The temperature difference between the detection target and the background must be at least 4 °C.</i>
<b>Relative humidity:</b>	Max. 90 %, noncondensing
<b>Storage temperature:</b>	-10 °C to +70 °C

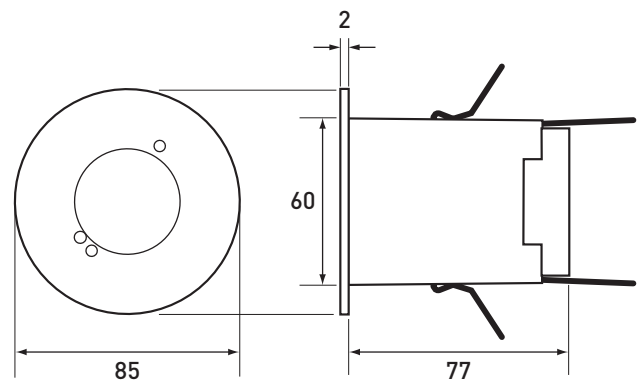
## Conformity and standards

<b>EMC emission:</b>	EN60669-2-1:2004 inc A12:2010
<b>EMC immunity:</b>	EN60669-2-1:2004 inc A12:2010
<b>Safety:</b>	EN60669-2-1:2004 inc A12:2010
<b>Environment:</b>	Complies with WEEE and RoHS directives.

## Version information

**Hardware version:** Rev. 1

## Dimensions (mm)



**Hole diameter:  $\varnothing$  75 mm**

Helvar Ltd  
Hawley Mill  
Hawley Road  
DARTFORD  
DA2 7SY  
UNITED KINGDOM  
[www.helvar.com](http://www.helvar.com)